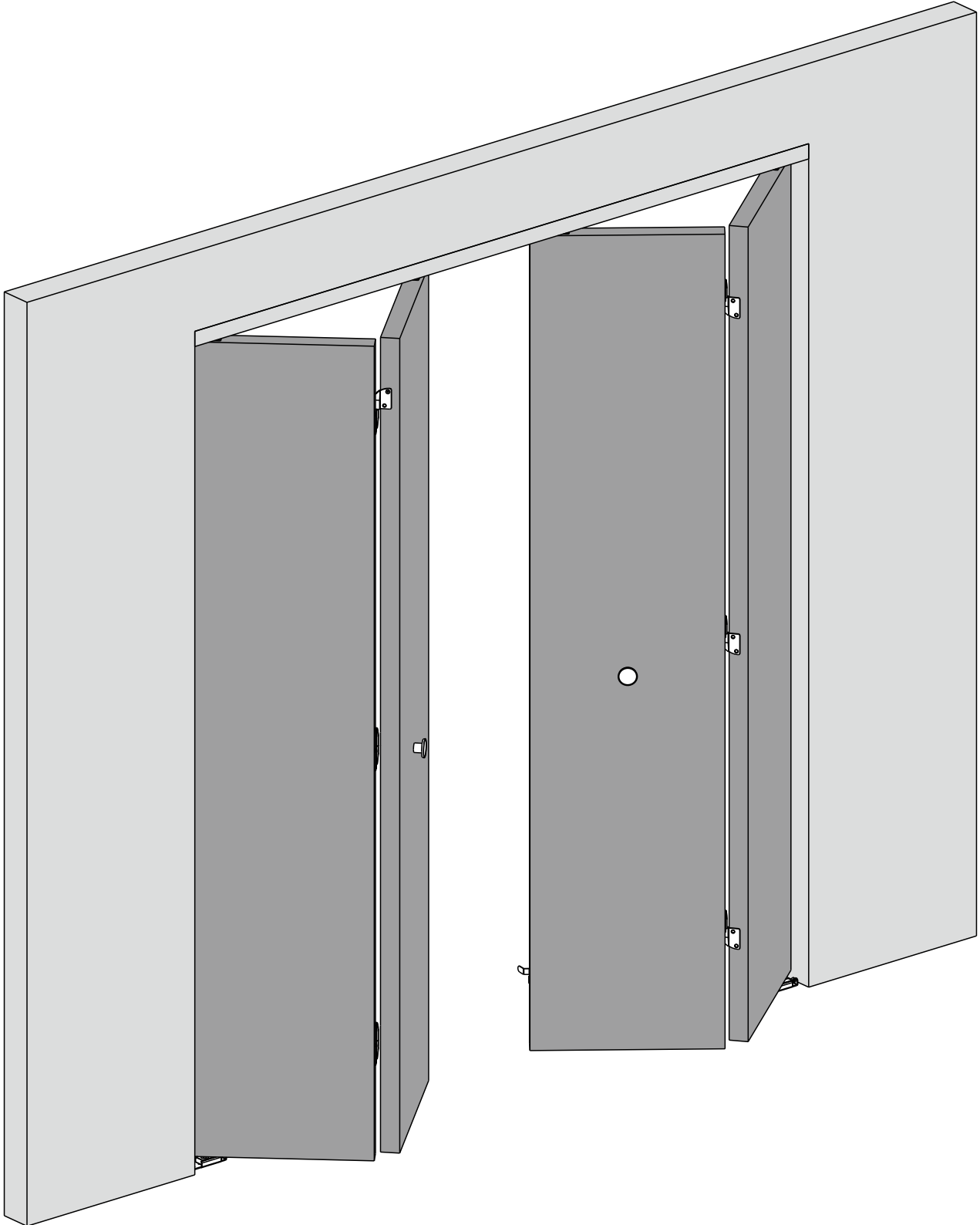
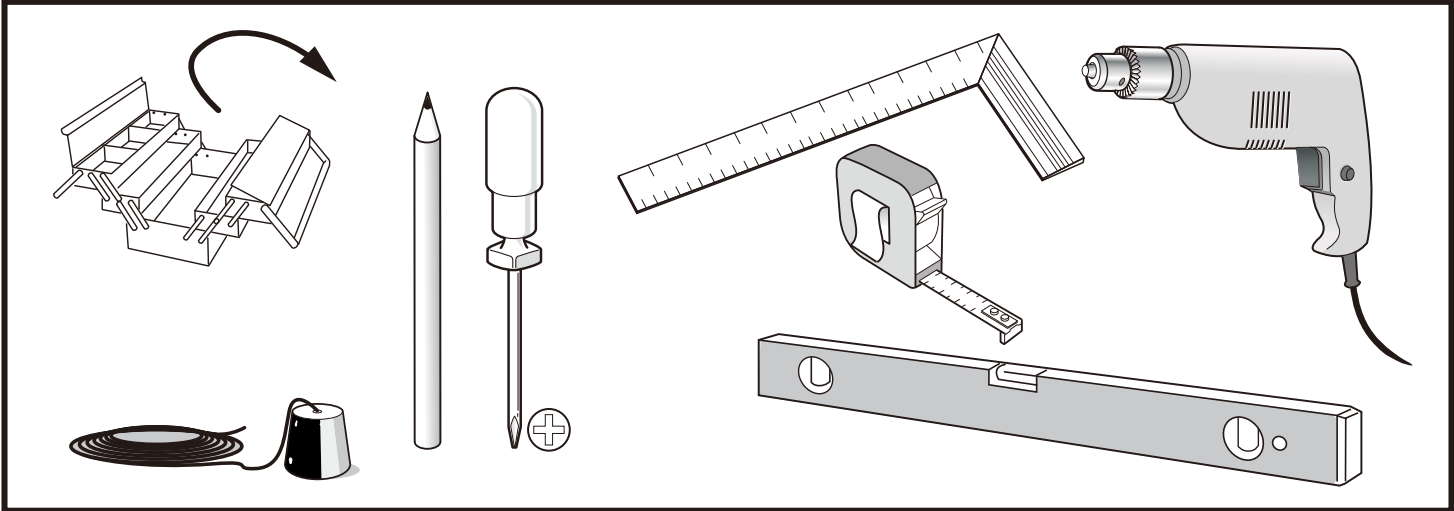


# Installation Manual

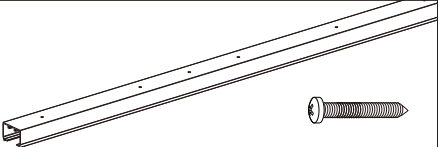


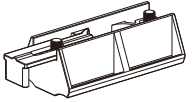
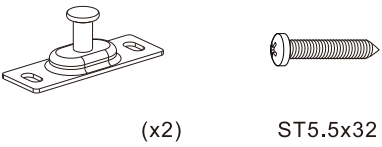
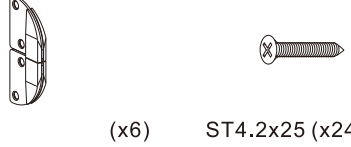
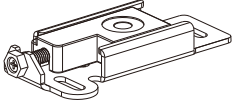
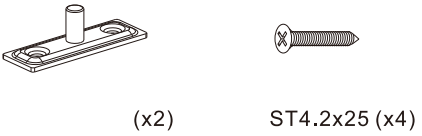
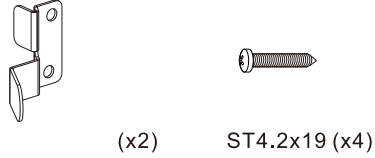




# PRE-INSTALLATION

## TOOLS REQUIRED

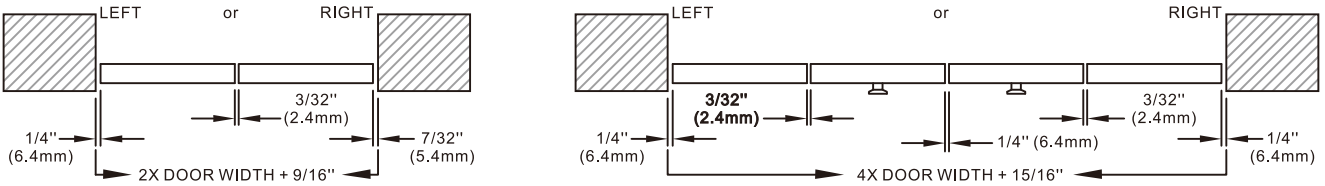


## HARDWARE INCLUDED

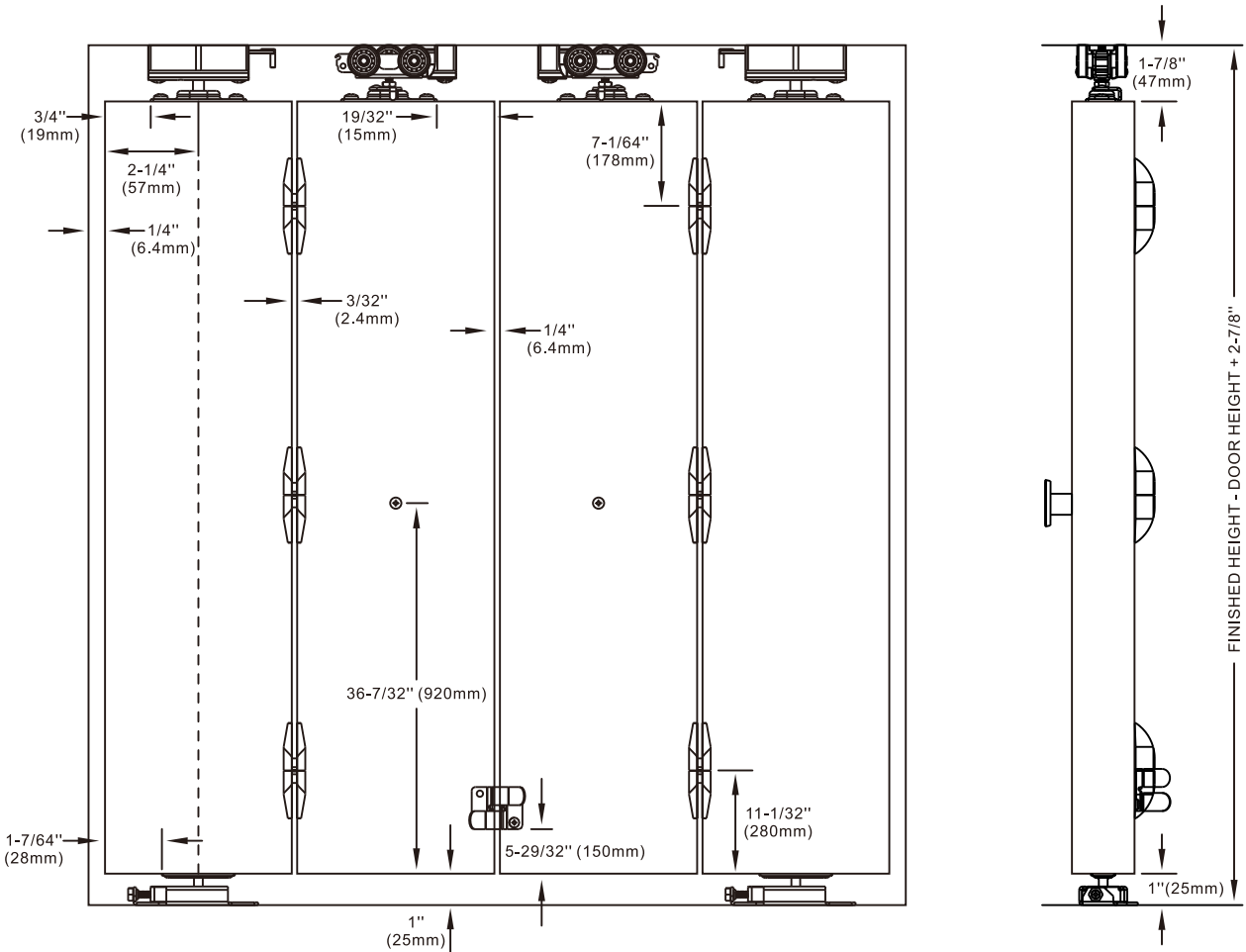
 (x1) ST4.2x32 (x10)	 (x2) ST5.5x32 (x4)	 (x2)
 (x2)	 (x2) ST5.5x32 (x4)	 (x6) ST4.2x25 (x24)
 (x2)	 (x2) ST4.2x25 (x4)	 (x2) ST4.2x19 (x4)
 (x2) ST4.2 (x2)	 (x1)	

# INSTRUCTIONS

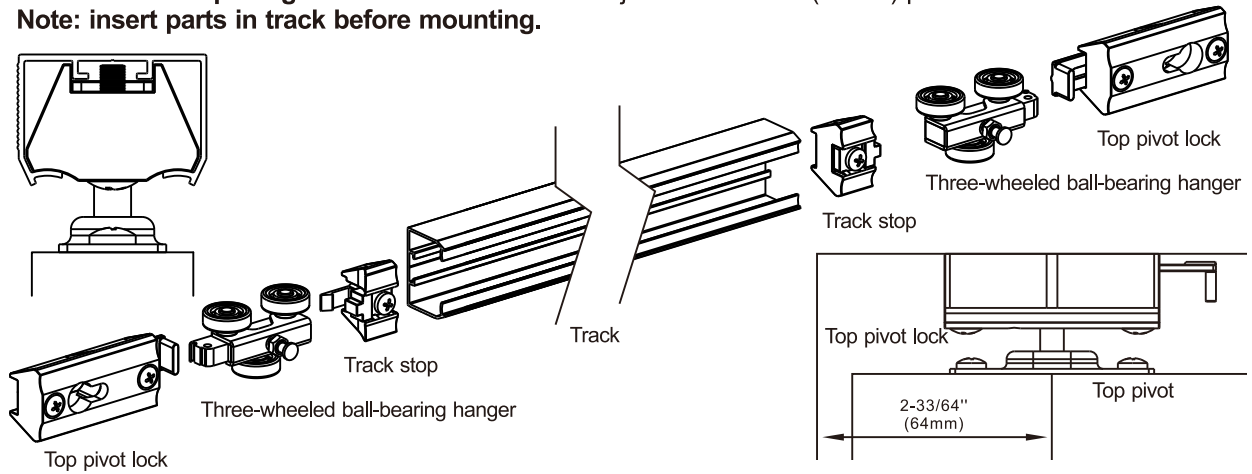
**For 1-3/8"(35mm) to 1-3/4"(45mm) Panels weighing up to 75 lbs. (34 kgs) each.**



**Prepare opening carefully: make sure corners are square, Header is level and jambs are straight**

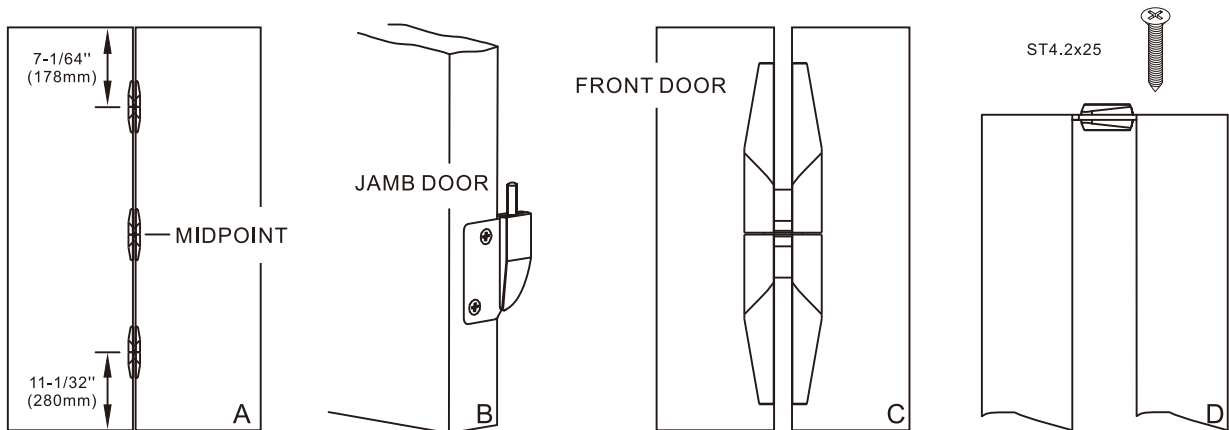


- 1** Cut track to fit opening width and fasten to header jamb with 1-1/4" (32mm) pan head screws.  
**Note:** insert parts in track before mounting.

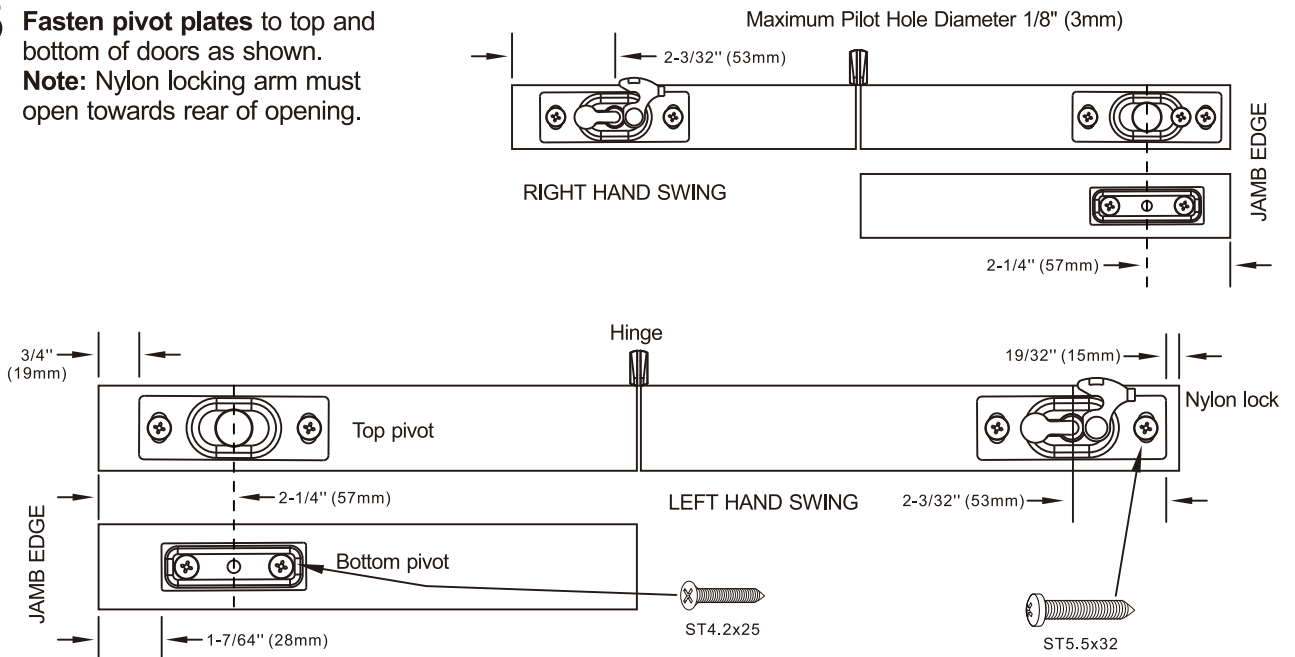


**2** Fasten hinges to doors.

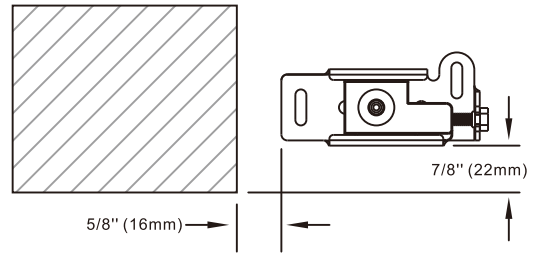
- (A) Stand pivot door on edge and mark a line at 7" (178mm) from top at midpoint and 11" (280mm) from the bottom.  
 (B) Attach hinge half with pin at marks (hinge pin pointing up) with 1" (25mm) flat head screws.  
 (Note: With nylon knuckle at hinge flush against back side of door).  
 (C) Place second door back-to-back against first door with top of doors even. Slip hinge half without pin over hinge half with pin.  
 (D) Attach hinge half without pin to door.



- 3** Fasten pivot plates to top and bottom of doors as shown.  
**Note:** Nylon locking arm must open towards rear of opening.

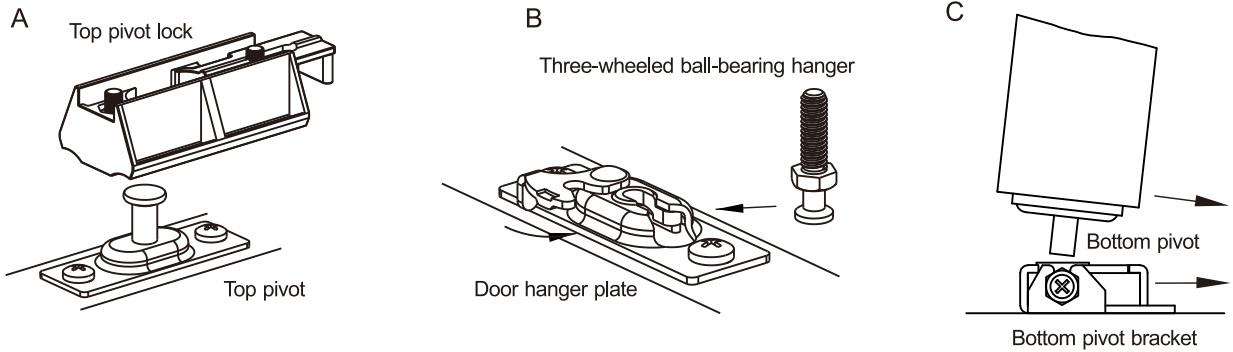


- 4 Fasten bottom pivot bracket to floor** 5/8" (16mm) from jamb face and 7/8" (22mm) from jamb edge. Remove floor bracket and proceed to step 5.

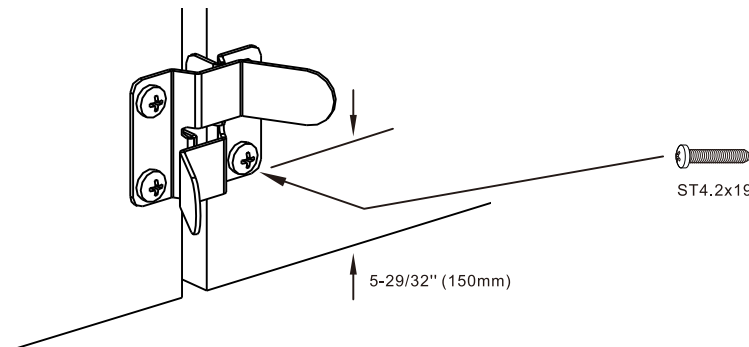


**5 Hang doors**

By (a) inserting top pivot lock into top pivot socket. Lock into place with locking lever. Then (b) insert three-wheeled ball-bearing hanger into door hanger plate. Lock into place locking arm. (c) Tilt doors slightly to allow bottom pivot bracket to slide under bottom pivot. Insert bottom pivot into hole of bottom pivot bracket. Reattach bottom pivot bracket to floor.

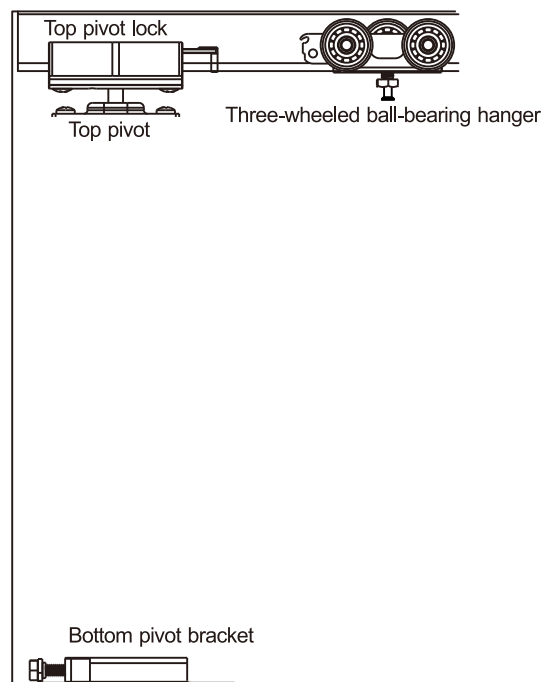


- 6 Mount bi-fold panel aligner on back side of lead doors (4 door sets only).**

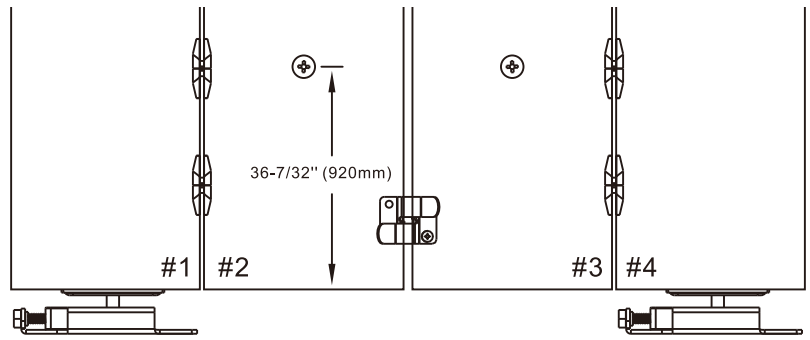


- 7 Check for proper door operation:** Clearance, alignment, adjustment, etc. Should be made at this time. If adjustments are required, they can be made at track pivot socket top pivot lock and bottom pivot bracket. Settling, door warpage and other uncontrollable conditions may require later adjustments.

**Note: doors must be parallel with track for proper operations.**



**8 Attach knobs:** drill 3/16" (5mm) hole 36-7/32" (920mm) from bottom, and in center of #2 and #3 doors.



**9 Adjust snubber (track stop)** close doors, slide track stop until it touches three-wheeled ball-bearing hanger. open doors, move track stop 1/8" (3mm) closer to three-wheeled ball-bearing hanger and tighten.

